

EH160 EH200 EH260



The new line ECOHEAT is a renewable and efficient solution for domestic hot water production. These models are optimized to heat water up to 60 degrees only with heat pump operation, which translates to higher useful volume of accumulated hot water. Furthermore, the system incorporates an advanced controller with multiple functions allowing adaptation to any user consumption habit to maximise their savings.



Reduces energy use by up to 60%



Smart controller design with 5 operating modes



PV-ready: Smart detector of PV energy available



Completely environmentally friendly



Aluminium condenser fitted around the tank



Automatic anti-legionella function



Designed for ease of install, servicing and repair



Possibility of dehumidifying and refreshing ambient air



Made of 100% European components.



DHW up to 60°C with heat pump operation

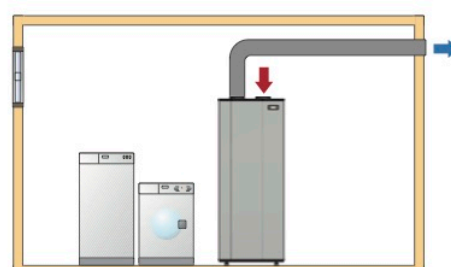
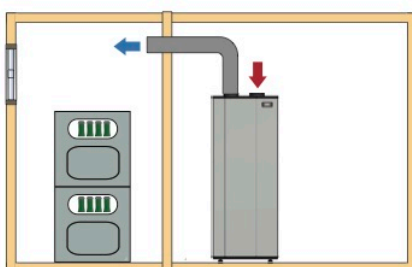
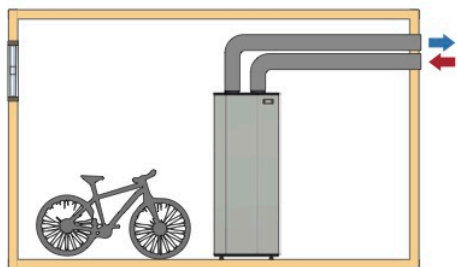


High quality cylinder made of SS 316L



Compliant with Eco-design and Eco-labelling

INSTALLATIONS



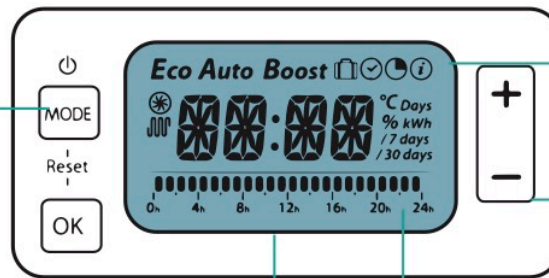
OPTIONAL

- ▶ Warranty extension 5 years
- ▶ Extra coil: Coupling with solar collectors
- ▶ Extra coil: Coupling with a boiler
- ▶ Front and side connections

SMART CONTROLLER

Operating mode

- **Automatic:** DHW production is handled by the HP module and the electric back-up, based on the input air temperature and inner performances of the heat pump.
- **Eco:** «reduced» programme enabled, DHW production is handled only by the HP module
- **Boost:** A single boost operates the heat pump and the heating element to heat up the water in the shortest time to the setting temperature
- **Out of home:** no DHW production for a vacation period; antifreeze protection
- **Program:** Set specific heating periods



Information

Provide weekly or monthly statistics on heat source usage given information about the real usage of heat pump source or backup heating element

Increase/ decrease and navigation key

Programming time slot

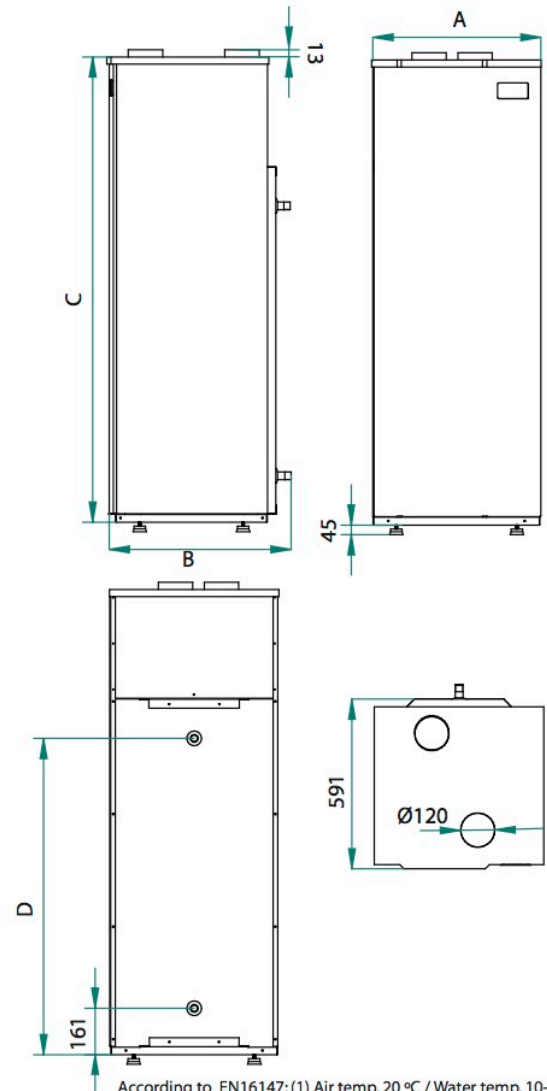
Display

Generously sized with simple, intuitive display of the operating modes, timer programming

TECHNICAL DATA

Cylinder	EH160	EH200	EH260
Capacity, L	160	200	260
Maximum operating pressure, bar	6		
Heat pump data			
Energy Efficiency Class	A	A	A
Load profile	L	L	XL
Nominal thermal power*, W	1841		
Nominal Input power*, W	496		
COP*, W	3,7		
Nominal thermal power **, W	1127		
Nominal thermal power **, W	407		
COP**, W	2,8		
Minimum air temperature, °C	5		
Maximum temp. HP, °C	60		
Maximum temp. electric element, °C	62		
Coolant	R134a		
Electric data			
Power supply, V/ph/Hz	230 / 1 / 50		
Electric element power, W	1500		
Maximum power absorbed, W	2100		
Connections			
Hot water inlet / outlet, pulg.	3/4		
Air inlet / exhaust, mm	120		
Condensate drain, pulg.	1/2		
Dimensions			
A, mm	585	585	585
B, mm	633	633	633
C, mm	1370	1620	1945
D, mm	852	1102	1427

DIMENSIONS



According to EN16147: (1) Air temp. 20 °C / Water temp. 10-55 °C
(2) Air temp. 7 °C / Water temp. 10-55 °C